

SELF CHECK**Written test****Sector:** Manufacturing**Occupation:** MACHINING**Unit of Competence:** Perform Advanced Engineering Detail Drafting Using CAD**Code:** IND MAC3 01 0217**Name** _____ **ID. No.** _____**I. Choose the one that best suits the statement and write the letter of your choice on the space provided. (2 pts. each)**

1. Tolerance is stated
 - A. as positive or negative number
 - B. As fraction
 - C. As Decimal
 - D. All of the above
2. Parts which are not sectioned in a drawing
 - A. Bolt and nut
 - B. Bearing
 - C. Pin
 - D. Gear
 - E. A & C
3. _____ is a drawing of various part of a machine or structure assembled in their relative working position.
 - A. Working drawing
 - B. Assembly drawing
 - C. Scope
 - D. All of the above
4. Drawing requirement and purpose of drawing checked from
 - A. Work order
 - B. Customer order
 - C. Fabrication procedure
 - D. A & B
5. One of the following **is not** drawing requirement
 - A. Necessary drawing equipment to prepare the drawing
 - B. Necessary dimension, symbols, and all information
 - C. Information which used for the production
 - D. All of the above
 - E. None of the above
6. _____ is to describe the specification process, which define the desired project result and enumerate the project requirement.
 - A. Specification
 - B. Purpose
 - C. Production
 - D. All of the above

7. _____ is limit or span or range of the project to be produced.
 - A. Detail drawing
 - B. Assembly drawing
 - C. Scope
 - D. All of the above
8. _____ is a set of drawing used during the work of making a product.
 - A. Working drawing
 - B. Assembly drawing
 - C. Scope
 - D. All of the above
9. Assembly drawing conveys
 - A. Complete shape of the product
 - B. Overall dimension
 - C. Relative position of each part
 - D. All of the above
10. Information in detail drawing is /are
 - A. General information
 - B. Part's information
 - C. Size information
 - D. A & B
 - E. A& C
 - A.
11. One of the following is not types of assembly drawing
 - A. Exploded drawing
 - B. General drawing
 - C. Detail assembly drawing
 - D. None of the above
12. How do you define tolerance
 - A. The difference between the upper and lower limit
 - B. The difference between the lower limit
 - C. The difference between the upper
 - D. All of the above
13. What is the purpose of tolerance
 - A. To control interchangeability of parts
 - B. To ensure the mating parts will have desired fit
 - C. To control the production
 - D. A & B
 - E. B & C
14. _____ define the critical characteristics of an item form, physical, or functional nature.
 - A. Specification
 - B. Purpose
 - C. Production
 - D. All of the above

15. General information

- B. Name of a company
 - C. Drawing sheet number
 - D. Scale
 - E. Size
- All except “D”

Note: Satisfactory rating – 12 points above / Unsatisfactory 10 below points

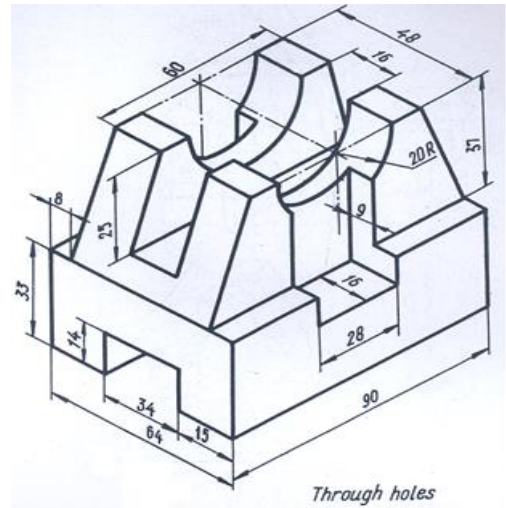
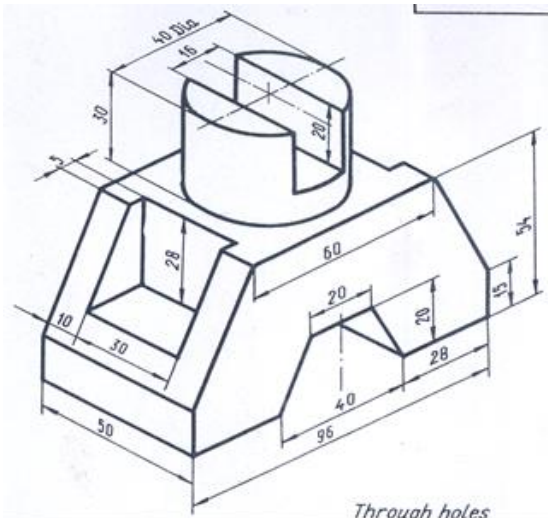
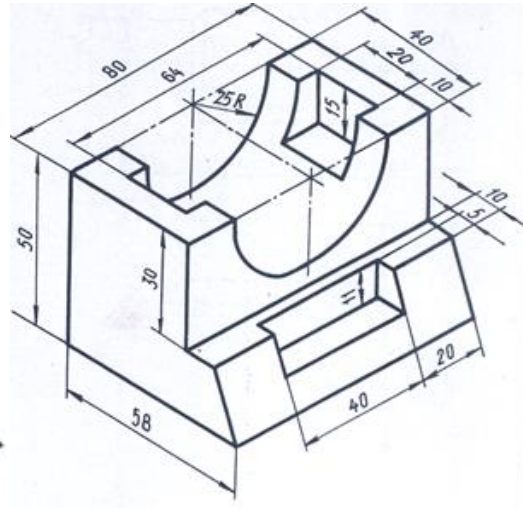
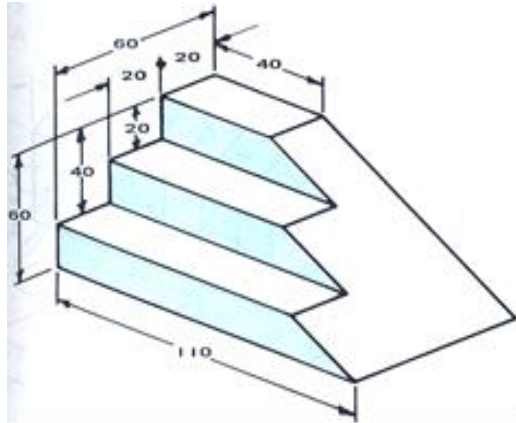
You can ask you teacher for the copy of the correct answers

<i>Ethiopian TVET Program</i>	STEP-GIZ	<i>CT program for Remote Teaching Title: Machining L-3 Perform Advanced Engineering Detail Drafting test</i>	<i>July 2020</i>	<i>Page 3 of 5</i>
-----------------------------------	-----------------	--	------------------	--------------------

SELF CHECK

LAP TEST

II. Sketch the following drawings and make a view in first and third angle projection



III. Given two projection of a model, construct a third one (if necessary) and a pictorial drawing of the model.

