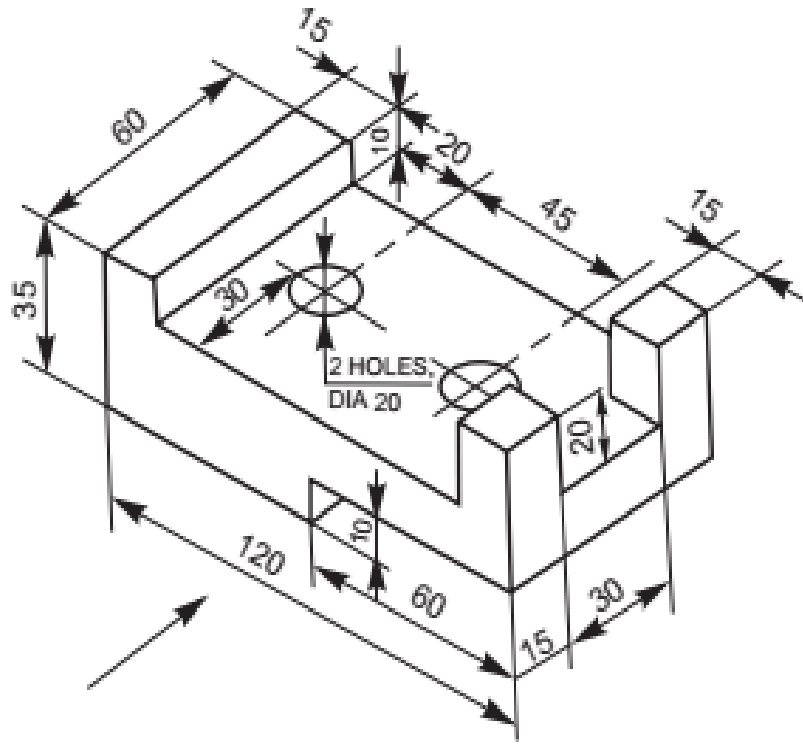


Auto cad class work

1. Figure below shows the isometric views of machine components. Draw the view from the front, the view from above and the view from the right.



- 2.

